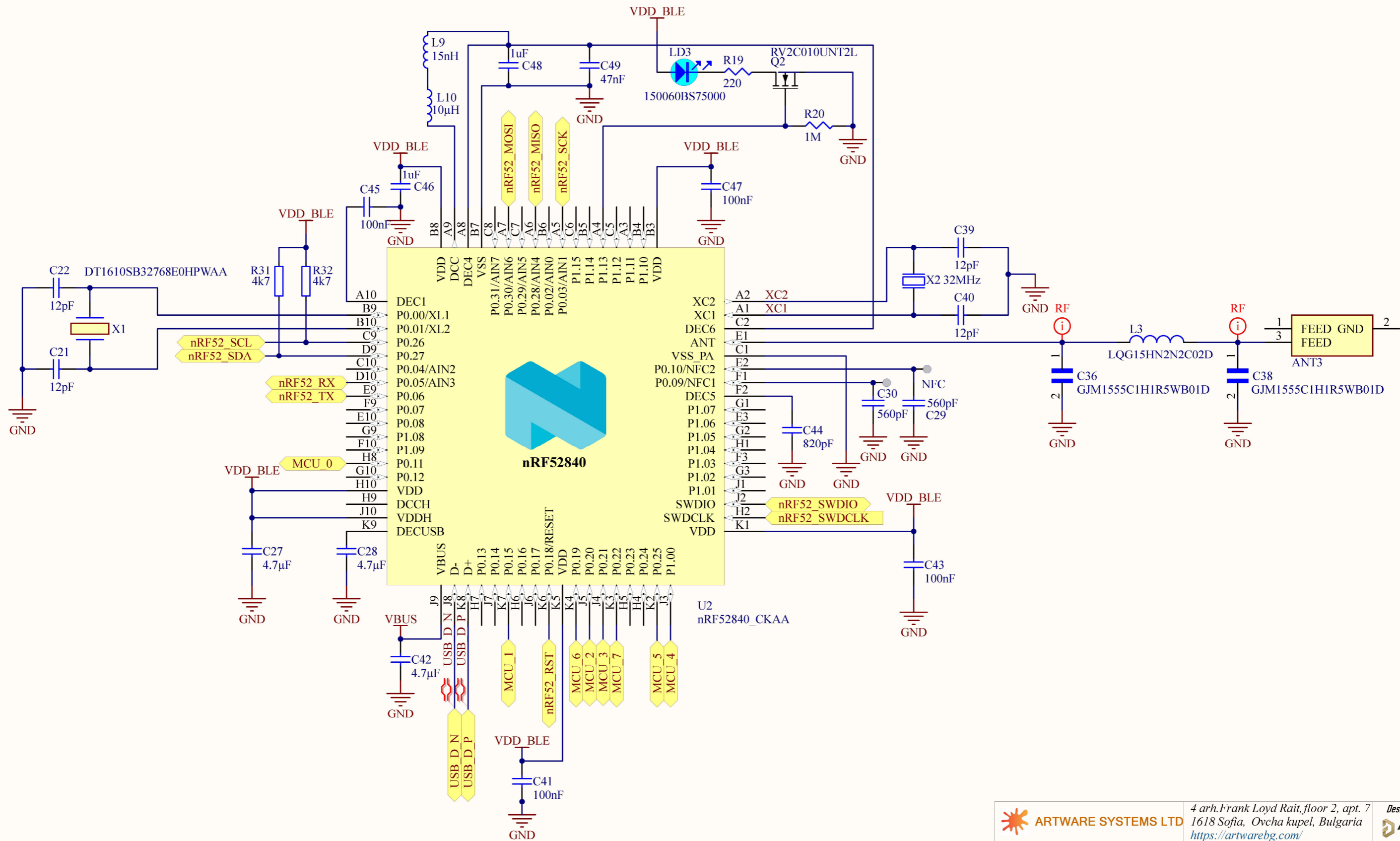
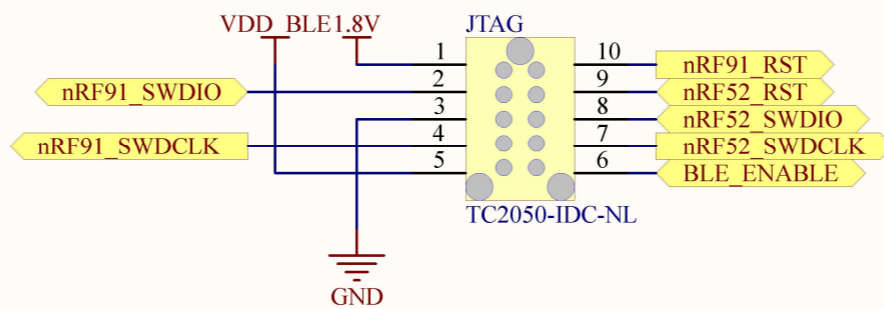
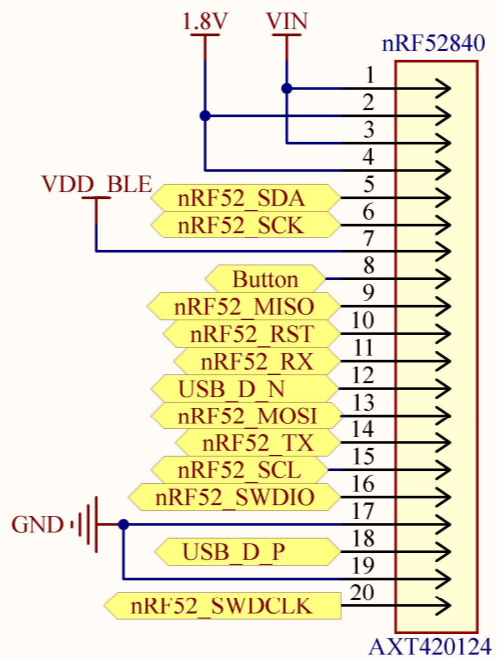
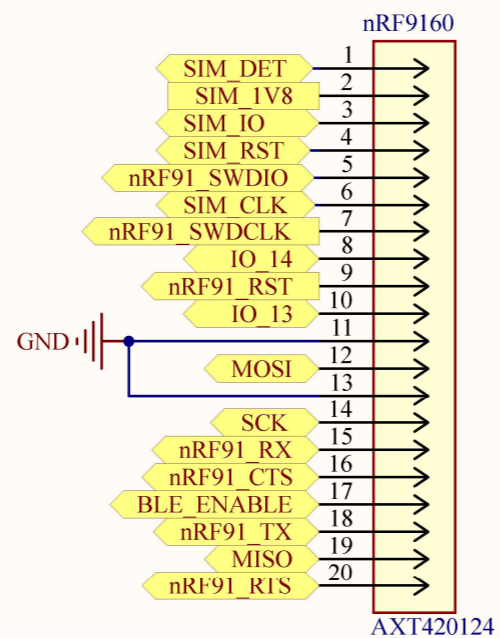
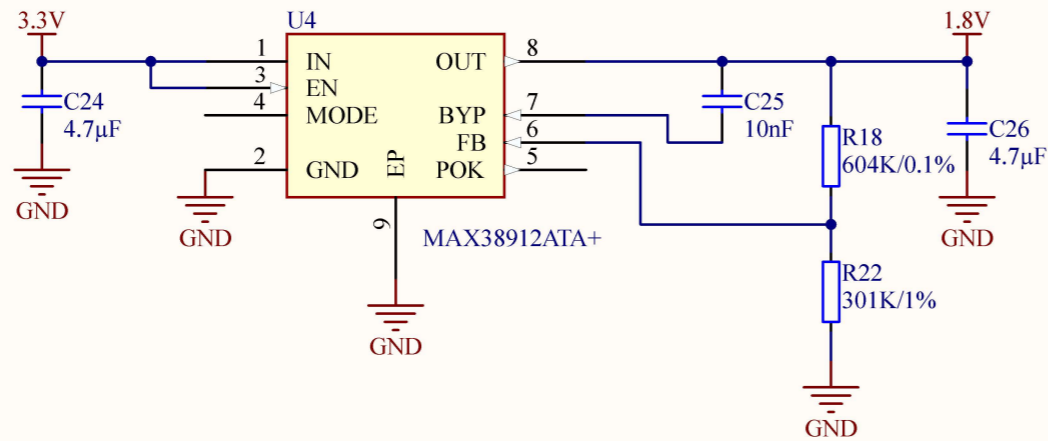
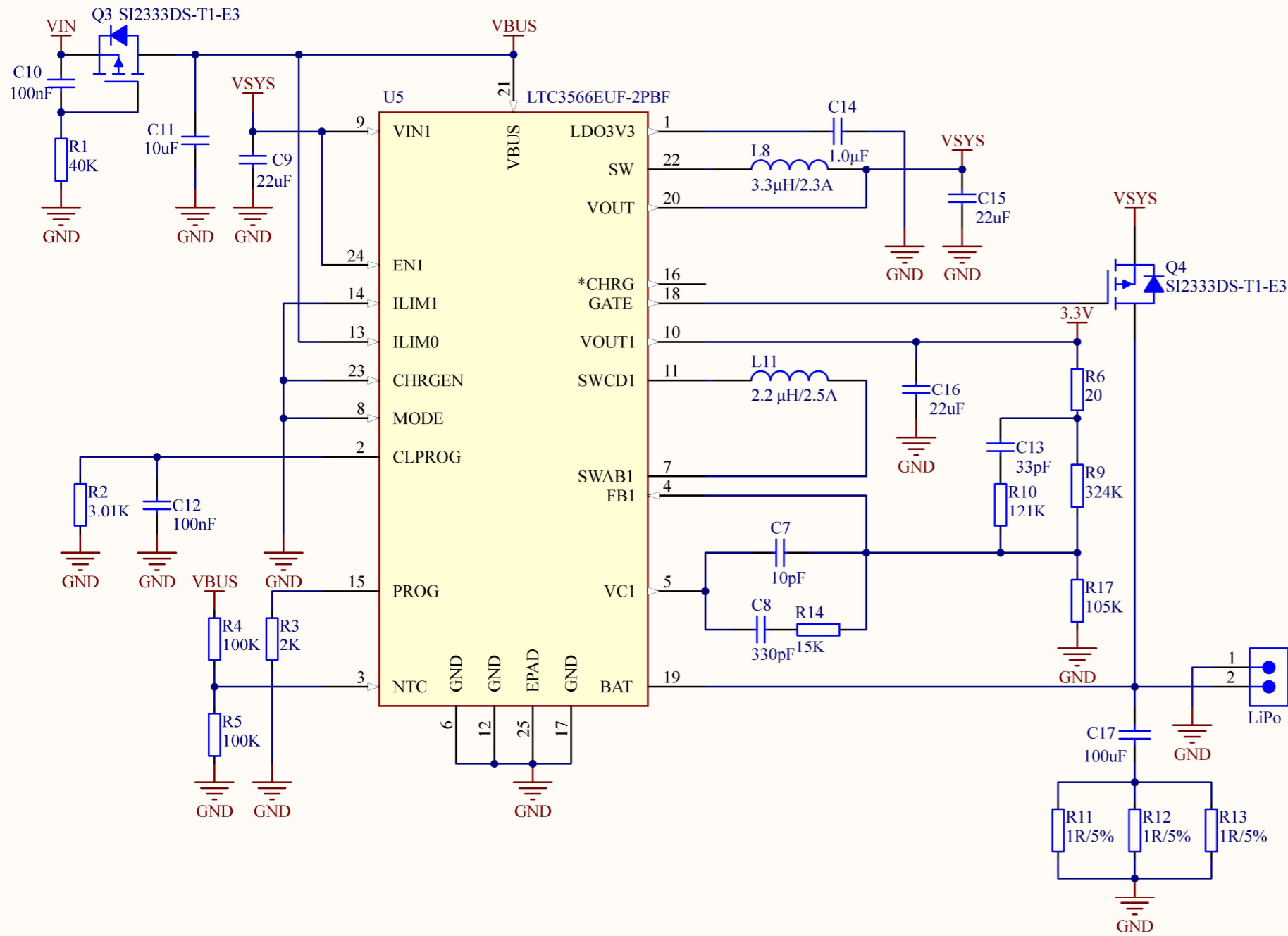


UIB  
nRF9160-SICAB1A

1	GND	RES	10
5	GND	RES	51
6	GND	RES	71
7	GND	RES	70
8	GND	RES	73
9	GND	RES	104
11	GND	RES	105
14	GND	RES	106
17	GND	RES	107
21	GND	RES	108
27	GND	RES	109
31	GND	RES	110
36	GND	RES	111
41	GND	RES	112
44	GND	RES	113
47	GND	RES	114
50	GND	RES	115
52	GND	RES	116
56	GND	RES	117
60	GND	RES	118
62	GND	RES	119
63	GND	RES	120
65	GND	RES	121
66	GND	RES	122
68	GND	RES	123
69	GND	RES	124
72	GND	RES	125
74	GND	RES	126
75	GND	RES	127
76	GND	RES	
77	GND	RES	
78	GND	RES	
79	GND	RES	
80	GND	RES	
81	GND	RES	
82	GND	RES	
85	GND	RES	
90	GND	RES	
94	GND	RES	
98	GND	RES	
103	GND	RES	







 <b>ARTWARE SYSTEMS LTD</b>		4 arh. Frank Loyd Rait, floor 2, apt. 7 1618 Sofia, Ovcha kupel, Bulgaria <a href="https://artwarebg.com/">https://artwarebg.com/</a>		Designed by 
Project: <b>IoTA Platform development board 1.0</b>				
Page title: <b>Power supply</b>				
Size: A4	Number: 1	Revision: 1.0	Date: 10/28/2024 Sheet 4 of 4	Time: 5:56:30 AM
File: IoTA_Power_Supply.SchDoc			Author: <b>KIRIL PECHENYASHKI</b>	